

OTHER PRODUCTS



PIPE BEVELLING MACHINES



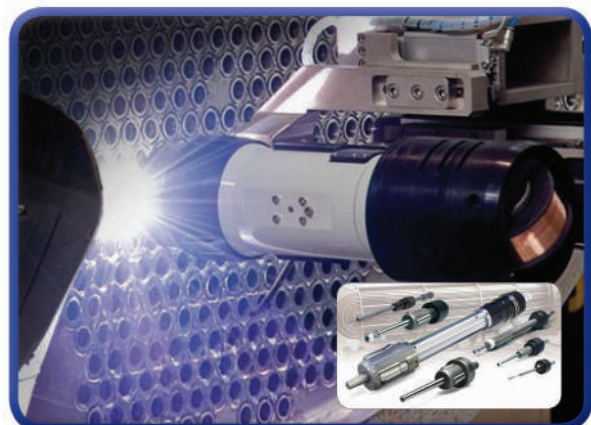
PIPE CUTTING MACHINES



PIPE PURGING



PIPE STANDS & BUGGIES



HEAT EXCHANGER MANUFACTURE AND MAINTENANCE EQUIPMENT

WB ALLOY WELDING PRODUCTS LTD

WWW.WBALLOYS.CO.UK



PREP 24 PIPE BEVELLING MACHINE



7" to 24"

WWW.WBALLOYS.CO.UK

WB ALLOY WELDING PRODUCTS LTD

PREP 24

Portable Pipe Beveling Machine

RANGE: 180 -609 mm (7 - 24")

- **Functions:** External Beveling
Internal Beveling
Facing
Counterboring.
Weld Removal
J-Prepping & Compound Bevels
- **Materials:** Any kind of steel and Exotic alloy
- **Power:** Pneumatic/Electric.(110v or 220v)

The TAG PREP 24 is the largest in TAG's new range of a heavy duty mid-large diameter beveling machines. Offering ratchet i/d jaw locking, as well as Ratchet bevel feed control for effortless heavy wall preps. Offered with a 3.5 HP Pneumatic boasting 12500Nm Torque or 3200 Watt electric motor any bevel geometry can be performed within the impressive 7-24 inch range. J-preps, counter boring, and facing can all be performed, simultaneously, using the correct tooling fitted in (up to) 4 heavy duty hardened multi-position tool holders. Due to its light weight, yet unrivalled power, the PREP 24 is ideal for on-site, off shore, nuclear, and other applications where precision welds are required at an incredible value.



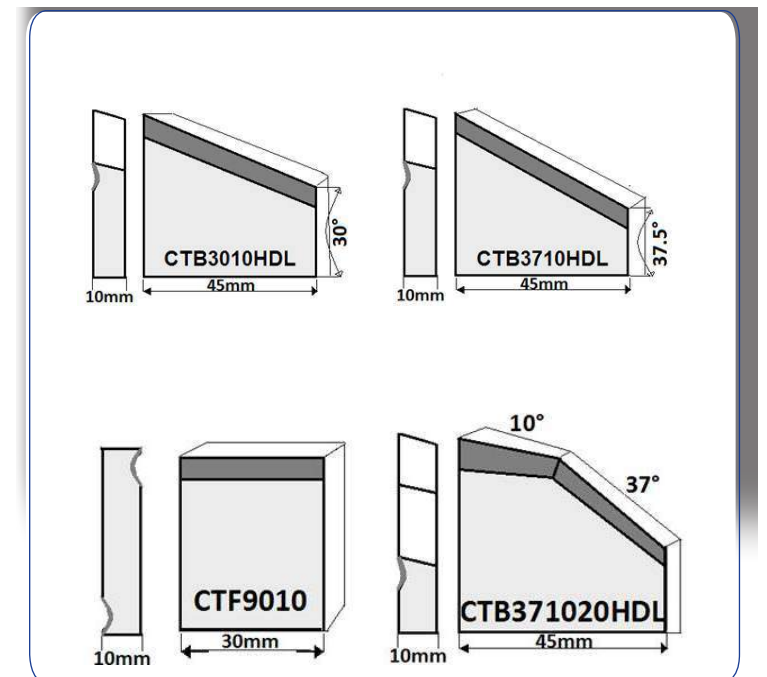
The PREP 24 has unrivalled power and stability, utilising a ratchet system for both jaw locking, and bevel feed.



The PREP 24 can also be supplied as an electric version, with a 3200 watt heavy duty, in-line or right angle motor drive. Or a heavy duty 3.5 Hp Pneumatic motor

CUTTING TOOLS

Tag Pipe offer 2 grades of standard tooling, which will cope with the majority of beveling applications when working with carbon or stainless steel. Specialist geometry bevel tools and tools for machining specially hard materials are also available.



Self-centering 150mm (5.9") one piece locking shaft with built in jaws, eliminates the issue of broken or loosening retaining springs and o-rings.



The PREP 24, as the Prep 16 and 20 utilise ratchet feed, and locking. This allows effortless set-up, and enables the operator to deliver consistent feed with minimal effort .



Innovative Wide locking jaws offer 6 point locking from 3 jaws giving superior clamping force for chatter free end preps.

TECHNICAL FEATURES

	MEASUREMENT	SPECIFICATION
I.D Locking range	mm / "	180-600 / 7-23.6
Pipe Beveling Range	mm / "	180-609 / 7-24.0
Feed stroke	mm / "	60 / 2.4
Power	kW / HP	2,61 / 3,5
Air consumption	cfm / min	95 / 2,8m ³
Air pressure	PSI / Bar	90 / 6,2
Weight	kg / Lbs	139/ 307
Machine Dimensions	mm / "	940 x 640 x 640 / 37.0x 25.2x 25.2
Total Shipping Weight	kg / Lbs	229/ 504
Total Shipping Dimensions	mm / "	1060x780x830 / 41.7x30.7x32.7